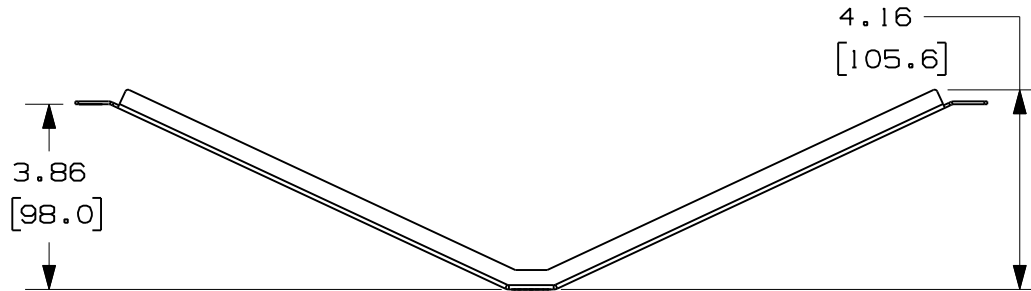


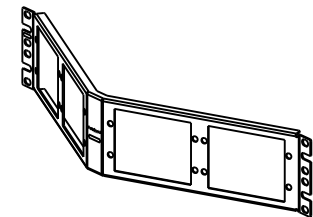
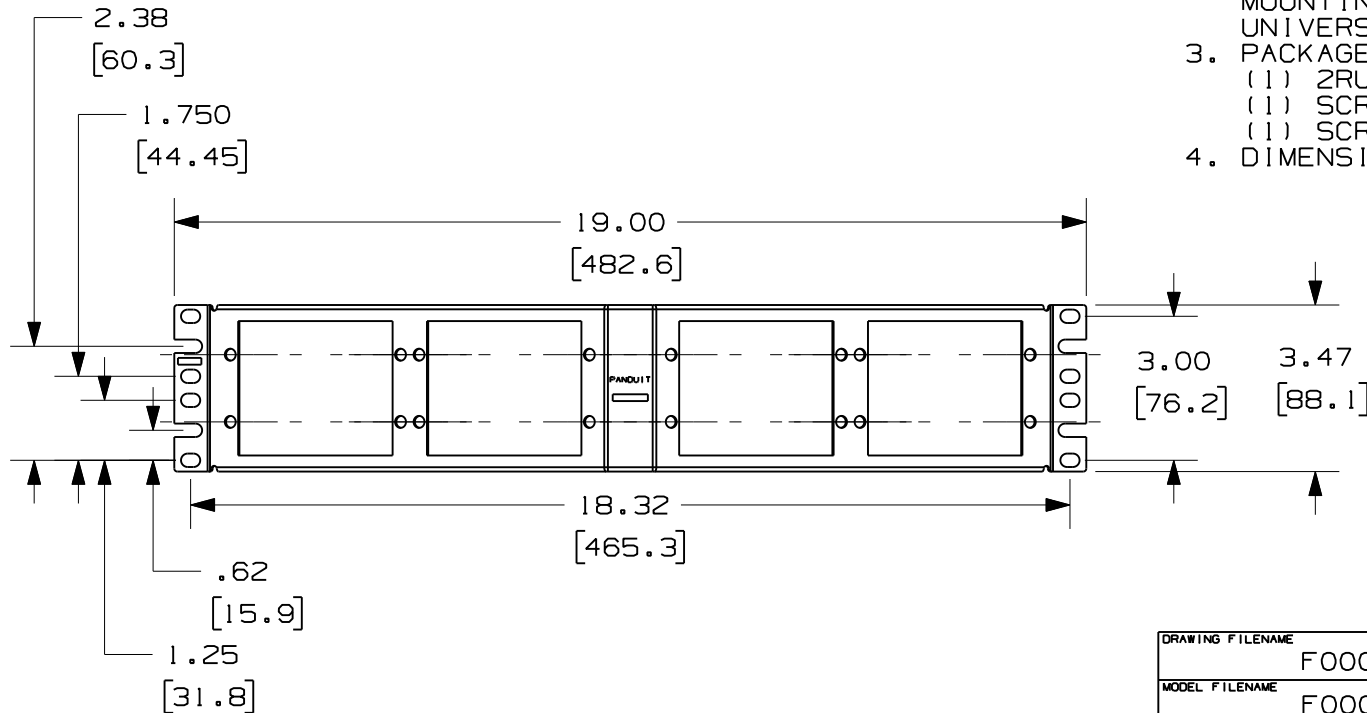
THIS COPY IS PROVIDED ON A RESTRICTED BASIS AND IS NOT TO BE USED IN ANY WAY DETRIMENTAL TO THE INTERESTS OF PANDUIT CORP.



PANDUIT PART NO.	WEIGHT
CFAPPBL2A	7.3 LB/10 PCS (3311.2 g/10 PCS)

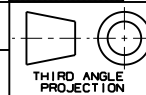
NOTES:

- SEE CURRENT CATALOG FOR COMPLETE LIST OF PARTS APPLICABLE FOR USE WITH THIS PART.
- THE PATCH PANEL IS DESIGNED FOR MOUNTING TO FMT2A TRAY OR 19" UNIVERSAL RACKS.
- PACKAGE CONTENTS:
(1) 2RU PATCH PANEL.
(1) SCREW KIT (FOUR #12-24 SCREWS).
(1) SCREW KIT (FOUR M6 SCREWS).
- DIMENSIONS IN PARENTHESES ARE METRIC.



DRAWING FILENAME	F00041BB_DC/00A.PRT	SIZE	A
MODEL FILENAME	F00041BB/00A		

2RU ANGLED PATCH PANEL FRAME
CUSTOMER DRAWING



ALL DIMENSIONS ARE GIVEN IN INCHES, UNLESS OTHERWISE SPECIFIED.
DIMENSIONAL TOLERANCES ARE:
(.X) ±.03 (.XXX) ±.005
(.XX) ±.01 ANGLES ± 1°

I.I. NUMBER	
PROD SPEC/PKG SPEC	
ASSY METHOD/TEST METHOD	
SCALE	1 : 4
PART NO.	CFAPPBL2A
DRAWING NO.	F00041BB_DC

REV	DATE	BY	CHK	DESCRIPTION	ECN	R	CUST	SUP	OTH
R	8/19/08	LEHO		RELEASE FOR PRODUCTION	F00041BB				

DRAWN BY	LEHO	REVIEW DRAWING NUMBERS	
DATE	8/19/08	MAT'L	SEE NOTES
CHK'D			